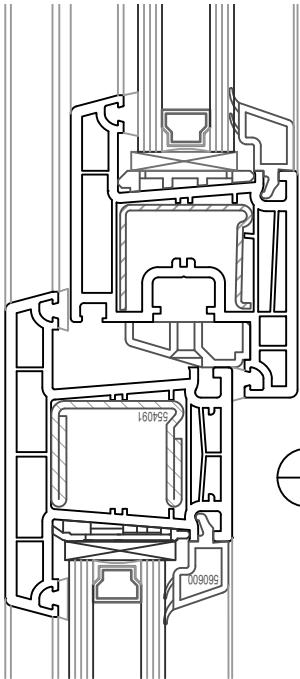
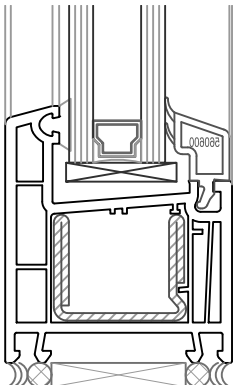


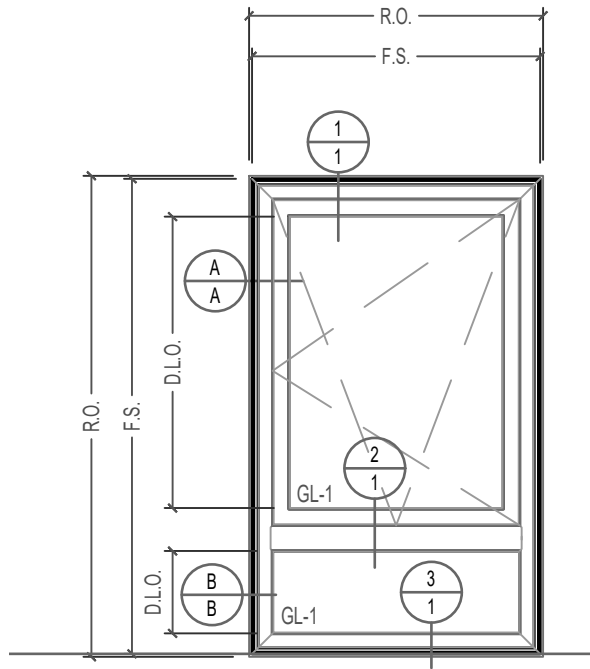
1/1 Tilt Turn Window Head Detail
SCALE: 6" = 1'-0"



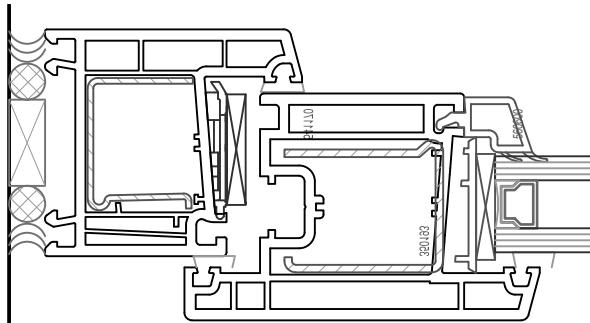
2/1 Tilt Turn Window Mullion Detail
SCALE: 6" = 1'-0"



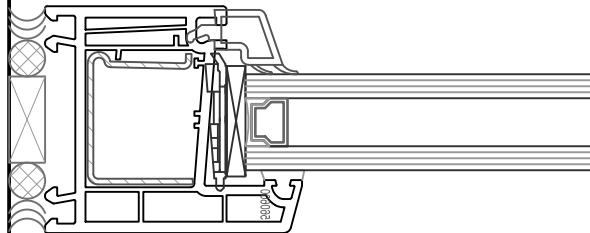
3/1 Fixed Window Sill Detail
SCALE: 6" = 1'-0"



1/1.00 Single Tilt Turn Jamb Detail
SCALE: 1/2" = 1'-0"



A/A Single Tilt Turn Jamb Detail
SCALE: 6" = 1'-0"



B/B Fixed Window Jamb Detail
SCALE: 6" = 1'-0"



Customer
177280

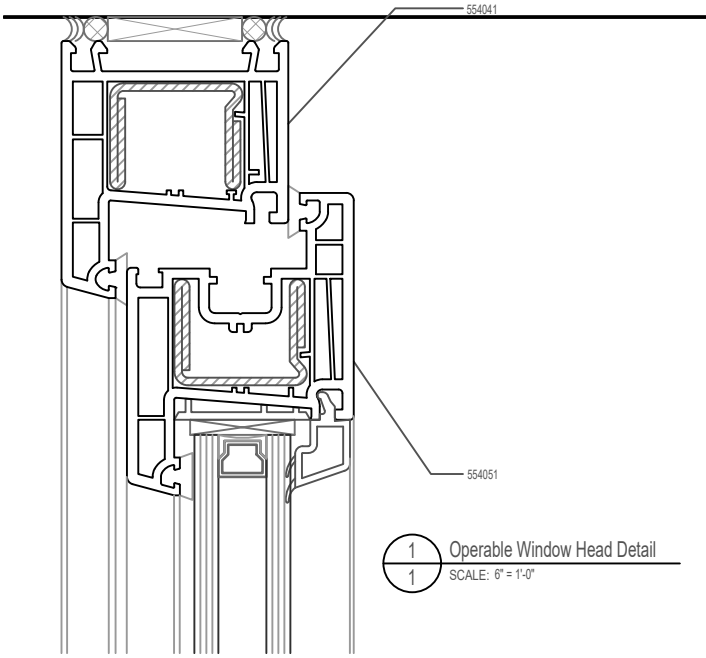
ARCHITECT

PROJECT
REHAU EURO FRAME TILT TURN
OVER FIXED UNIT

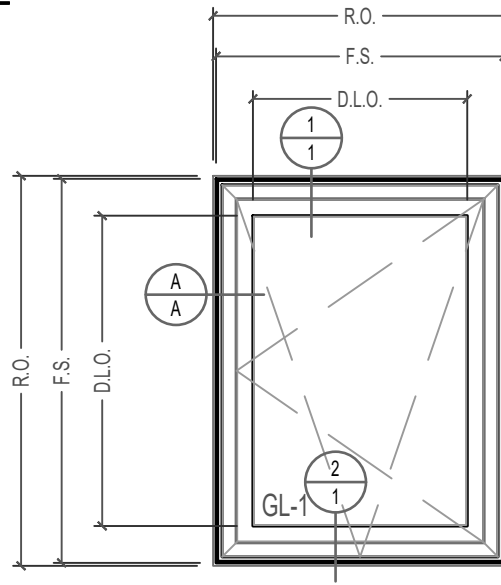
WYNISIS #:

DATE:
12/24/2019

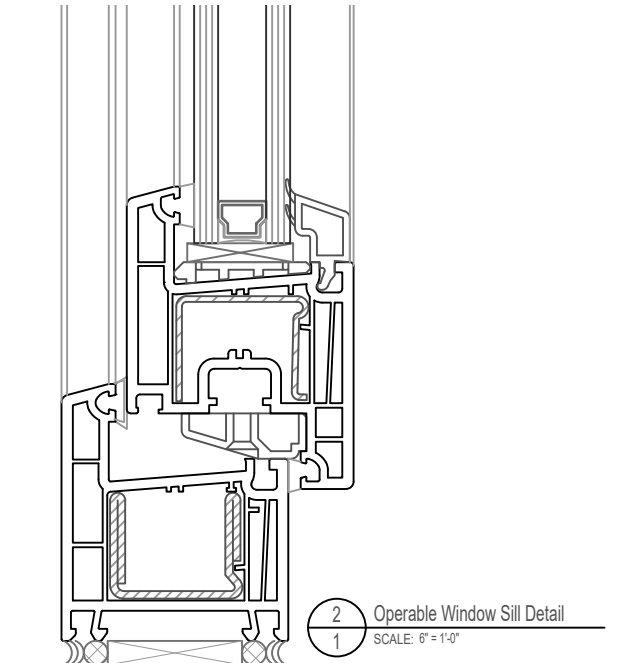
DRAWING #
1.00



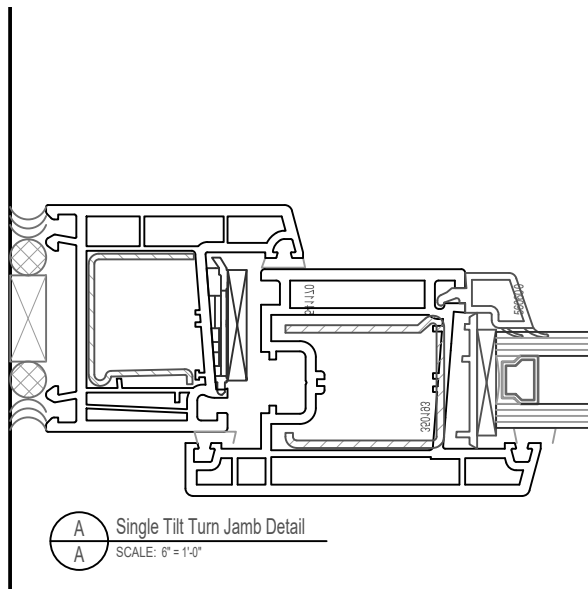
1 Operable Window Head Detail
SCALE: 6" = 1'-0"



1 Single Tilt Turn Jamb Detail
SCALE: 1/2" = 1'-0"



2 Operable Window Sill Detail
SCALE: 6" = 1'-0"



A Single Tilt Turn Jamb Detail
SCALE: 6" = 1'-0"

Customer
177280

ARCHITECT

PROJECT
REHAU EURO FRAME TILT TURN

WYNISIS #:

DATE:
12/24/2019

DRAWING #
1.01

